



# Romafa Stainless Steel parts for John Deere 1900 & 1910 Air Carts

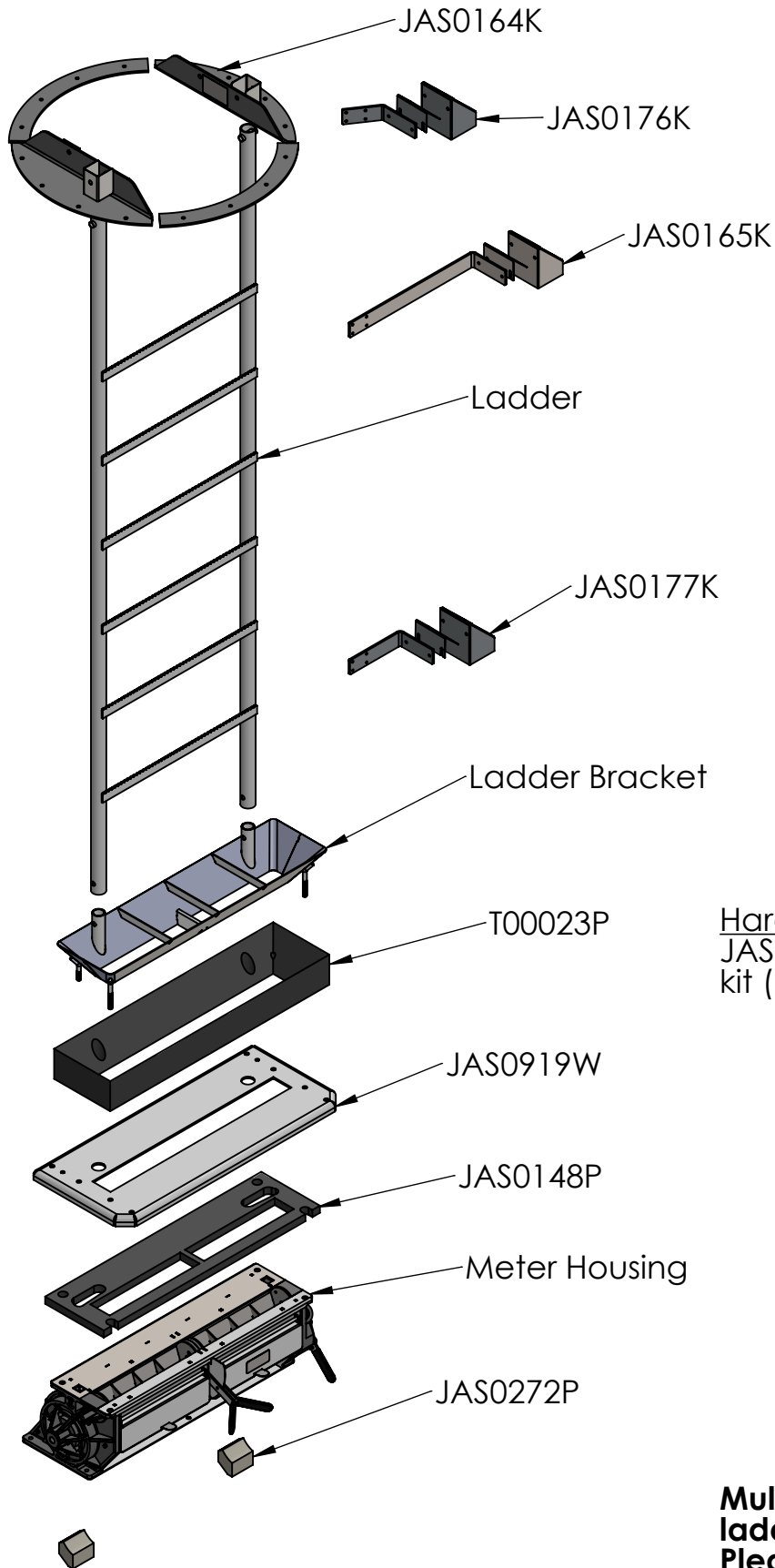
Parts for other models also available.



This flyer is not an exhaustive listing of available parts  
Contact your local dealer for more details or contact  
Romafa at 204-364-2244 | [sales@romafa.com](mailto:sales@romafa.com)



# Meter Housing and in-tank components



Hardware kit required  
JASKITUPPR1 - Upper hardware  
kit (One kit per tank)

**Multiple options for meter housing,  
ladder, & ladder bracket.  
Please see page 3 for details.**

## Options for Meter Housing, Ladder & Ladder Bracket

Part #	OEM Part #	Description
--------	------------	-------------

### Meter housings

JAS0001A		Meter Housing
JAS0006A		Meter Housing Section Control
JAS0168A		Meter Housing Individual Shut Off

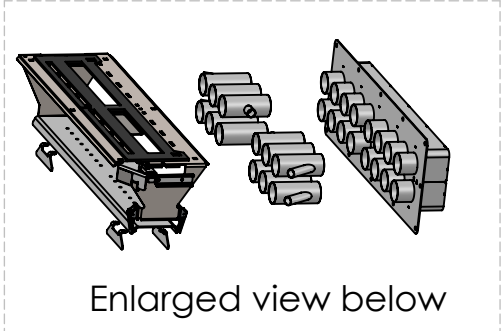
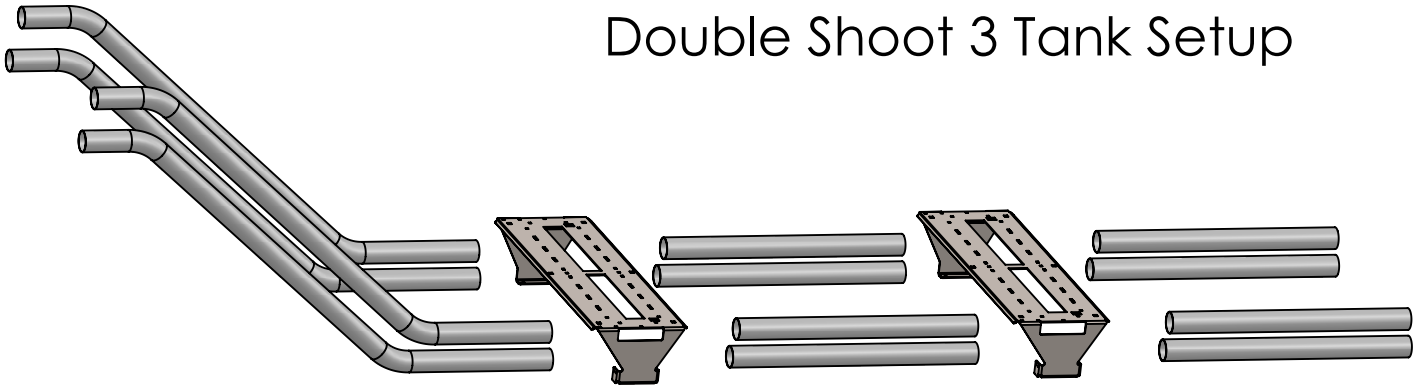
### Ladders

JAS0161W	AA50083	Tank Ladder 430 BU Center Tank (80 Bushel Tank)
JAS0162W	AA50080	Tank Ladder 350 / 430 BU Front Tank (150 Bushel Tank)
JAS0163W	AA50079	Tank Ladder 350 / 430 BU Rear Tank, 550 BU Front / Rear Tank (200 Bushel Tank)
JAS4015W	AA50084	Tank Ladder, 195 / 250 BU (75 BU TANK)

### Ladder Brackets

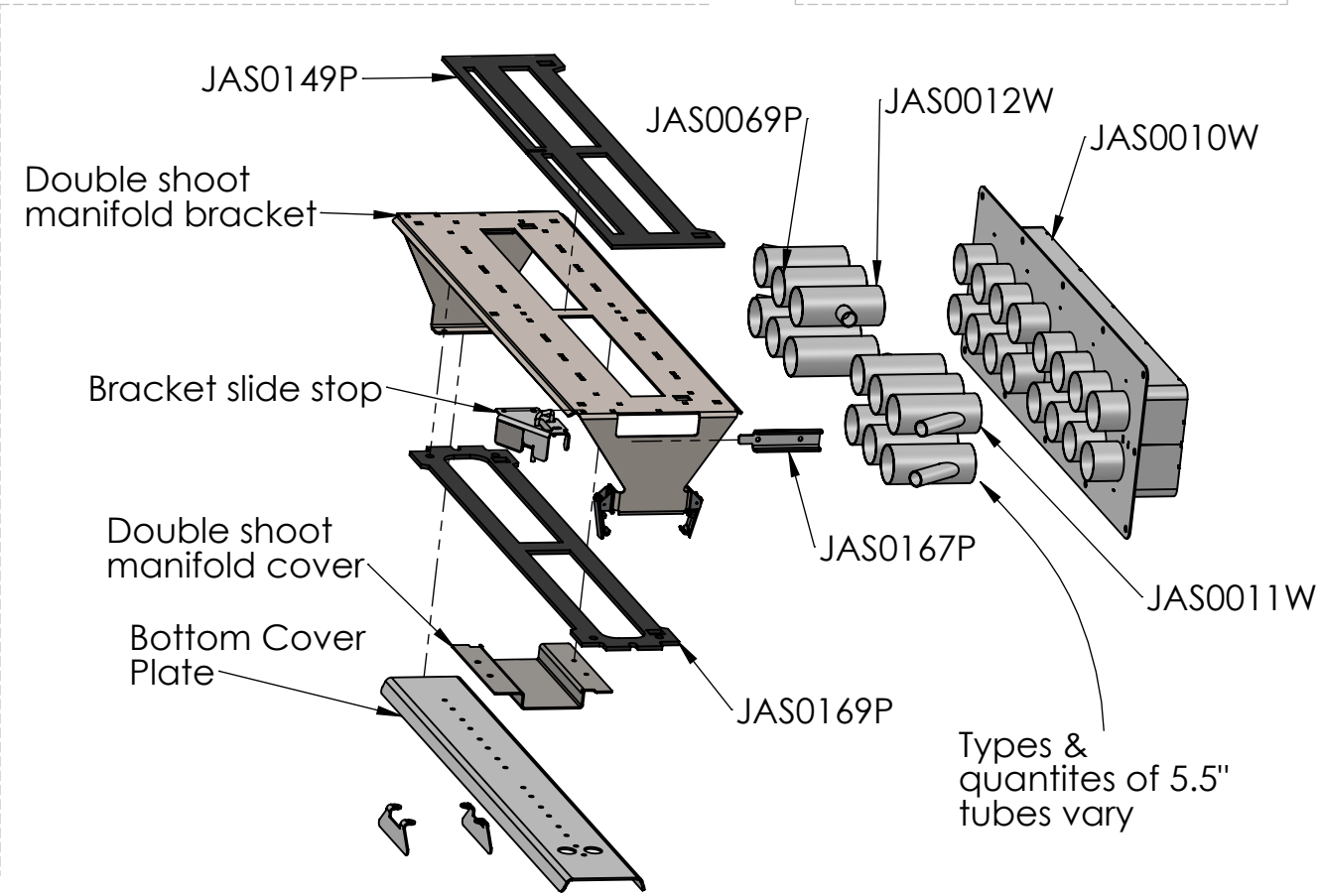
JAS0922W	AA47638 & AA85578	Chute Weldment Bracket (Ladder Brkt)
JAS0923W	AA78276 & AA85582	Chute Weldment Bracket (Ladder Brkt) 550 Bushel

# Double Shoot 3 Tank Setup



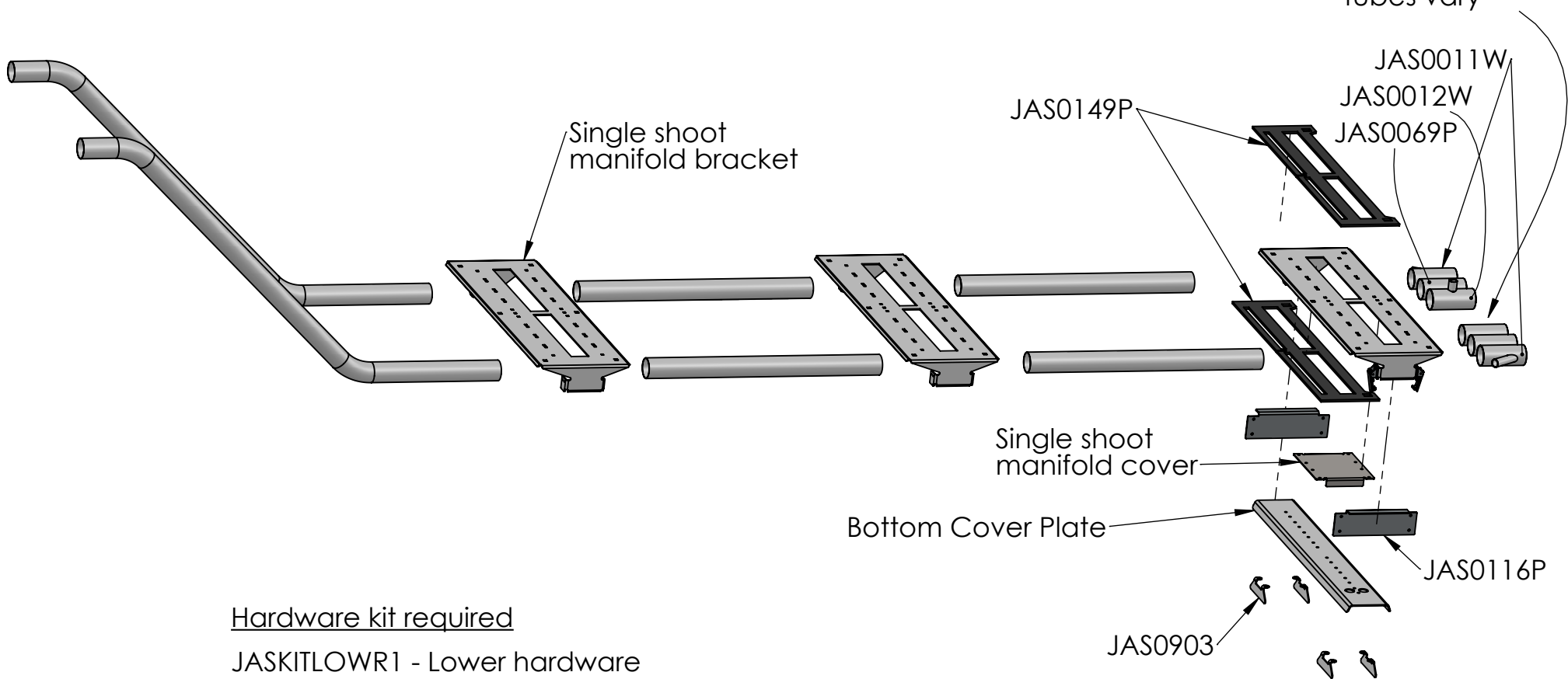
Hardware kits required

- JASKITLOWR2 - Lower hardware kit (1 kit per tank)
- JASKITDSBOLT - Double shoot manifold bolts (1 kit per run per tank)
- JAS4702K - Double Shoot Manifold Bolts for 3" Tubes (1 kit per run per tank)



See page 6 & 7 for part variations

# Single Shoot 3 Tank Setup



Hardware kit required  
 JASKITLOWR1 - Lower hardware  
 kit (One kit per tank)

See page 6 & 7 for part variations

Part #	OEM Part #	Description
<b>Manifold Brackets - Single Shoot</b>		
JAS0053P	A69442	Single Shoot Manifold Brkt 1910 (Use Bottom Cover JAS0057P) TBH only
JAS0043P	A62025	Single Shoot Manifold Brkt 1900 (Use Bottom Cover JAS0118P)
JAS0128P	A88060	Single Shoot Manifold Brkt 1910 (Use Bottom Cover JAS0910P)
<b>Manifold Brackets - Double Shoot</b>		
	AA60889	Double Shoot Manifold Brkt 1900 (Use JAS0066P & JAS0057P to replace this JD Item #)
JAS0901	AA71722	Double Shoot Manifold Brkt 1910 (Use Bottom Cover JAS0910P)
JAS0066P	AA60888	Double Shoot Manifold Brikt 1910 (Use Bottom Cover JAS0057P)
JAS0187P	AA83284	Double Shoot Manifold Brkt 1910 (430 TBH - 430-550 TBT Bushel 3" )
<b>Bracket Slide Stop (Double Shoot)</b>		
JAS0911	A64920	Bracket Slide Stop R/H
JAS0902A	AA50030	Bracket Slide Stop L/H
<b>Manifold Cover - Single Shoot</b>		
JAS0123P	A63063	3 Run Stat. Plate Single Shoot Manifold (Cover)
JAS0044P	A63064	4 Run Stat. Plate Single Shoot Manifold (Cover)
JAS0126P	A63065	5 Run Stat. Plate Single Shoot Manifold (Cover)
JAS0127P	A63066	6 Run Stat. Plate Single Shoot Manifold (Cover)
JAS0120P	A63067	7 Run Stat. Plate Single Shoot Manifold (Cover)
<b>Manifold Cover - Double Shoot</b>		
JAS0122P	AA48758	3 Run Center Plate Double Shoot Manifold (Cover)
JAS0121P	AA48757	4 Run Center Plate Double Shoot Manifold (Cover)
JAS0054P	AA48756	5 Run Center Plate Double Shoot Manifold (Cover)
JAS0124P	AA48755	6 Run Center Plate Double Shoot Manifold (Cover)
JAS0125P	AA48754	7 Run Center Plate Double Shoot Manifold (Cover)
JAS0904	AA48753	8 Run Center Plate Single/Double Shoot Manifold (Cover)
JAS0188P	AA84236	8 Run Center Plate Double Shoot Manifold (Cover) (430 TBH - 430-550 TBT Bushel 3" )
<b>Bottom Cover Plate</b>		
JAS0118P	AA52645	Bottom Cover Plate 1900 Single / Double Shoot
JAS0057P	A69443	Bottom Cover Plate 1910 Single / Double Shoot
JAS0910	A88237	Bottom Cover Plate 1910
JAS0186P	A98748	Bottom Cover Plate 1910 (430 TBH - 430-550 TBT Bushel 3")

<b>Seed Delivery Tubes</b>		
<b>Part #</b>	<b>OEM #</b>	<b>Description</b>
JAS1080	A64943	Seed Delivery Formed Tube 195/250 TBT Double Shoot Upper
JAS1082	A64944	Seed Delivery Formed Tube 195/250 TBT Double Shoot Lower
JAS0259P	A63188	Seed Delivery Formed Tube 195/250 TBT Single Shoot
JAS0154P	A63082	Seed Delivery Formed Tube 250 TBH Single Shoot
JAS0161P	A65140	Seed Delivery Formed Tube 250 TBH Double Shoot Upper
JAS0155P	A65141	Seed Delivery Formed Tube 250 TBH Double Shoot Lower
JAS0051P	A65344	Seed Delivery Formed Tube 270 TBT Double Shoot Upper
JAS0052P	A65656	Seed Delivery Formed Tube 270 TBT Double Shoot Lower
JAS0117P	A63192 & A60259	Seed Delivery Formed Tube 270/340 TBH Single Shoot
JAS1081	A63186 & A59204	Seed Delivery Formed Tube 270/340 TBT Single Shoot
JAS0131P	A65347	Seed Delivery Formed Tube 270/340 TBH Double Shoot Upper
JAS1002	A65657	Seed Delivery Formed Tube 270/340 TBH Double Shoot Lower
JAS1001	A63190 & A60257	Seed Delivery Formed Tube 350/430 TBH Single Shoot ( 430 JD SN __-770100)
JAS0913	A65348	Seed Delivery Formed Tube 350/430 TBH Double Shoot Upper
JAS0914	A65658	Seed Delivery Formed Tube 350/430 TBH Double Shoot Lower
JAS0129P	A88196	Seed Delivery Formed Tube 350/430 TBT Double Shoot Upper
JAS0130P	A88197	Seed Delivery Formed Tube 350/430 TBT Double Shoot Lower
JAS0145P	A88195	Seed Delivery Formed Tube 350/430 TBT Single Shoot (430 JD SN __-770100)
JAS1074	A92245	Seed Delivery Formed Tube 550 TBH Single/Double Shoot Upper (JD SN __-770100)
JAS1075	A92243	Seed Delivery Formed Tube 550 TBH Double Shoot Lower (JD SN __-770100)
JAS1076	A99546	Seed Delivery Formed Tube 550 TBH Double Shoot Upper (JD SN 770101-__)
JAS1077	A99547	Seed Delivery Formed Tube 550 TBH Double Shoot Lower (JD SN 770101-__)
JAS0164P	A99256	Seed Delivery Straight Tube 1910 550 Bushel Double Shoot Upper 42.028" 3" Dia
JAS0165P	A99255	Seed Delivery Straight Tube 1910 550 Bushel Single Shoot Lower 42.972" 3" Dia
JAS0285P	A107966	Seed Delivery Straight Tube 1910 TBT SS/DS 3" Dia x 72"
JAS0067P	A59345	Seed Delivery Straight Tube 1900 Single / Double Shoot 2-Tank Lower 48.580"
JAS0078P	A59346	Seed Delivery Straight Tube 1900 Double Shoot 2-Tank Upper 47.638"
JAS0916	A59348	Seed Delivery Straight Tube 195 Thru 430 TBH Double Shoot Upper 3-Tank 28.937"
JAS0917	A59347	Seed Delivery Straight Tube 195 Thru 430 TBH Single / Double Shoot 3-Tank Lower 29.88"
JAS0217P	A86913	Straight Tube, Liquid Option, Upper, 1910 340 TBH, 430 TBT AND TBH 69.291"
JAS0218P	A86914	Straight Tube, Liquid Option, Lower, 1910 340 TBH, 430 TBT AND TBH 70.276"
JAS1078	A92238	Seed Delivery Straight Tube 1910 550 Bushel Double Shoot Upper 42.028"
JAS1079	A92241	Seed Delivery Straight Tube 1910 550 Bushel Single Shoot Lower 42.972"
JAS0270P	A64928	Seed Delivery Straight Tube Quick Connect Hose Mounting TBT 2-1/2" x 6' (A64928)
JAS0011W	AA54440	2.5" x 5.5" SS Tube With 1" Angle Outlet
JAS0012W	AA57195	2.5" x 5.5" SS Tube With 1" Straight Outlet
JAS0069P	A72998	2.5" x 5.5" SS Tube