

8" 23' Stainless Steel Auger for JD 1900 Carts (Earlier Models)



Assembly Instructions

- **JAS5796A - 8" 23' Auger Housing & Flighting**
- **JAS5792K - 8" Auger Hopper & Spout Kit**

JAS5796A - 8" 23' Auger Housing & Flighting (Earlier Models)

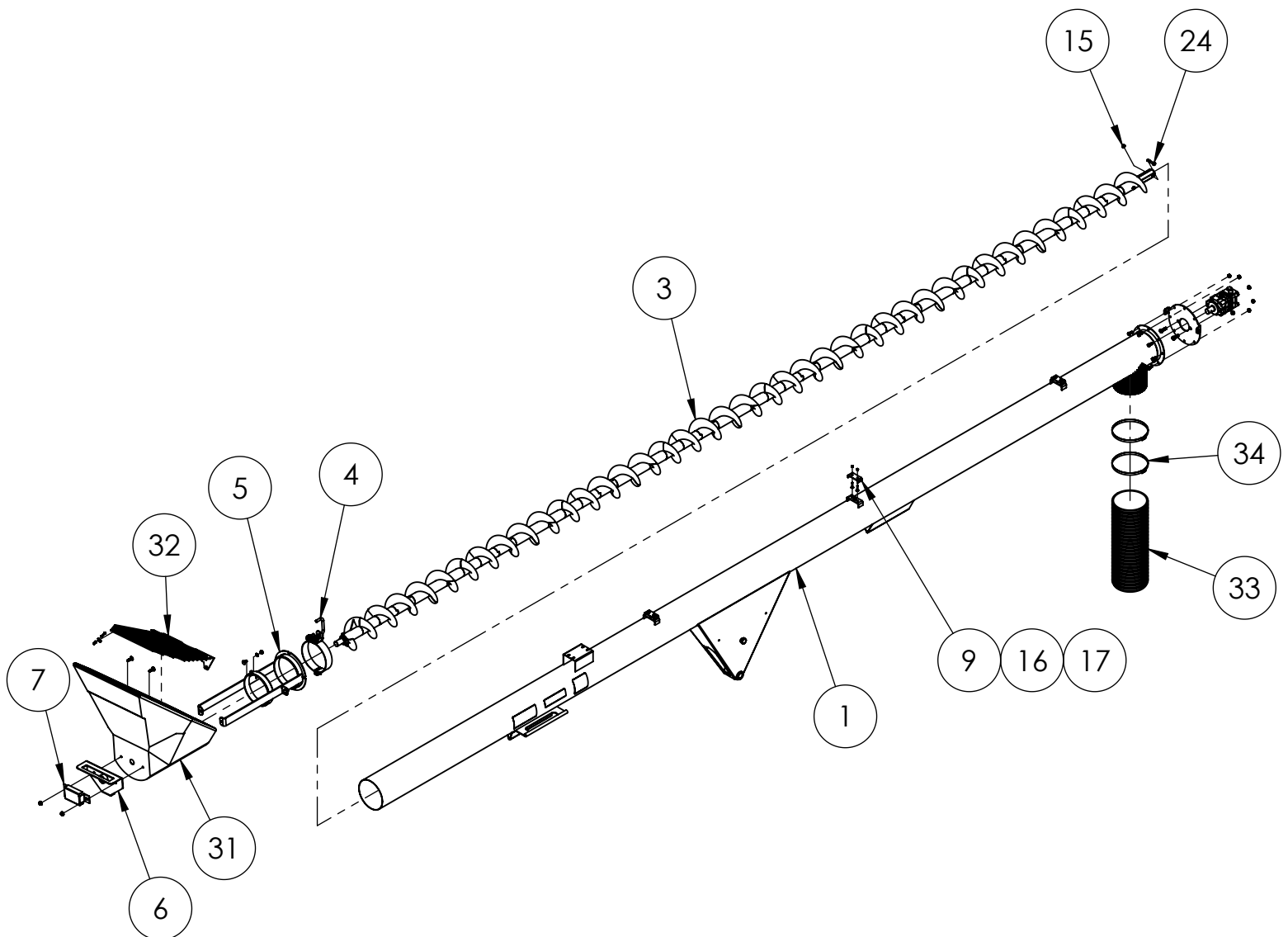
ITEM NO.	PART NUMBER	DESCRIPTION	QTY.
1	JAS5549W	8" x 23' JD Auger Tube Weldment	1
2	JAS5550W	Adjuster Mount Weldment	1
3	JAS5797A	Poly Cupped Flighting Assembly for JD 8" x 23' Auger	1
4	JAS5776A	Rotation Lock, Hopper Mount	1
5	JAS5775A	Hopper Mount, (8" Auger)	1
6	JAS5755A	Bushing Mount / Handle Assembly for 8" Auger	1
7	JAS5151P	Bearing Cover, Auger (A69768)	1
8	JAS5415P	Flange, Motor Mount, Auger	1
9	JAS5121P	Clamp, Hyd. Hoses	3
10	JAS5314P	Bushing, T-Bracket	2
11	JAS5408P	Tube, Spring Mount Bracket Support	2
12	SMBH-12-1.75-40-2-3	M12-1.75 X 40 mm Hex Bolt SS 18-8	2
13	SMNN-12-1.75-3	M12-1.75mm Nylon Lock Nut SS	2
14	SMBH-10-1.5-25-2-3	M10-1.5 X 25mm Hex Bolt SS	8
15	SMNN-10-1.5-3	M10-1.5mm Nylon Lock Nut SS	11
16	SMBC-06-1.0-35-1-3	M6-1.0 X 35mm Carriage Bolt SS	6
17	SMNN-06-1.0-3	M6-1.0mm SS Nylon Lock Nut	8
18	SMBC-10-1.5-25-2-3	M10-1.5mm X 25mm Carriage Bolt SS	2
19	SMWI-10-020-M-2	M10 Flat Washer SS	2
20	SMBC-10-1.5-35-2-3	M10-1.5mm X 35mm Carriage Bolt SS	2
21	SMNF-10-1.5-3	M10-1.50mm Flange Nut SS	2
22	SIBH-075-200-1-2-3	3/4" X 2" Hex Bolt NC SS G18-8	2
23	SINN-075-1-3	3/4" Nylon Lock Nut	2
24	SMBH-10-1.5-55-2-3	M10-1.5 X 55 mm Hex Bolt SS 18-8	1
25	P-Clip .375	P-Clip fastener	2
26	SMBH-06-1.0-20-2-3	M6-1.0mm X 20mm Hex Bolt SS	2
27	SMWI-06-012-M-3	M6 Flat Washer SS	4
28	L-006	L-006 Caution Label, Unsecured Auger	1
29	L-008	L-008 Warning Label, Electric Lines	1
30	L-003	L-003 Large Romafa Label	1

JAS5792K - 8" Auger Hopper & Spout Kit

ITEM NO.	PART NUMBER	DESCRIPTION	QTY.
31	JAS5108P	Hopper, 8" Auger (A60206)	1
32	JAS5529W	Coarse Screen, 8" JD Auger	1
33	JAS1263	Spout for Auger, 8" I.D. x 24" Long	1
34	SHC-800	8" SS Hose Clamp	2

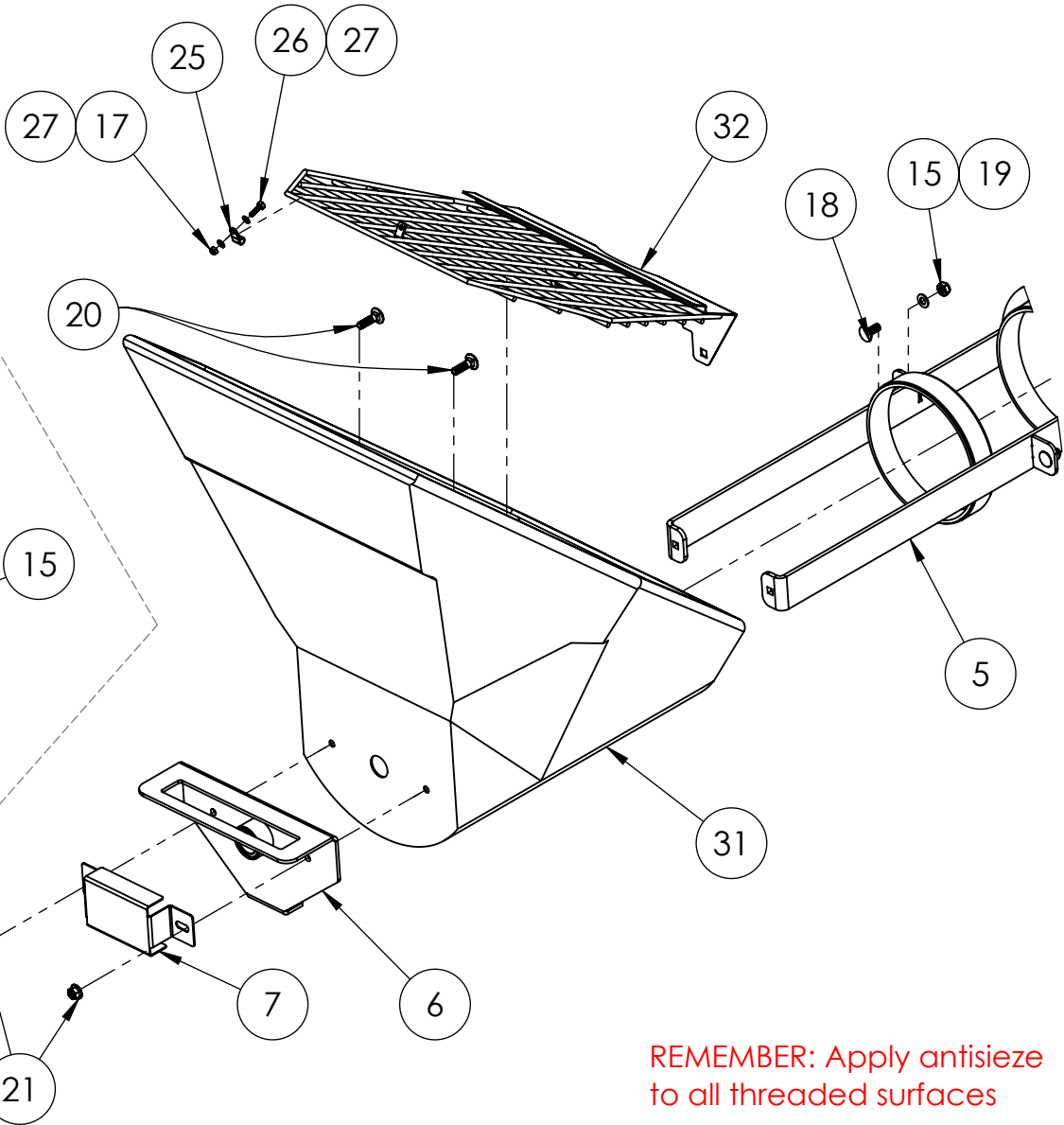
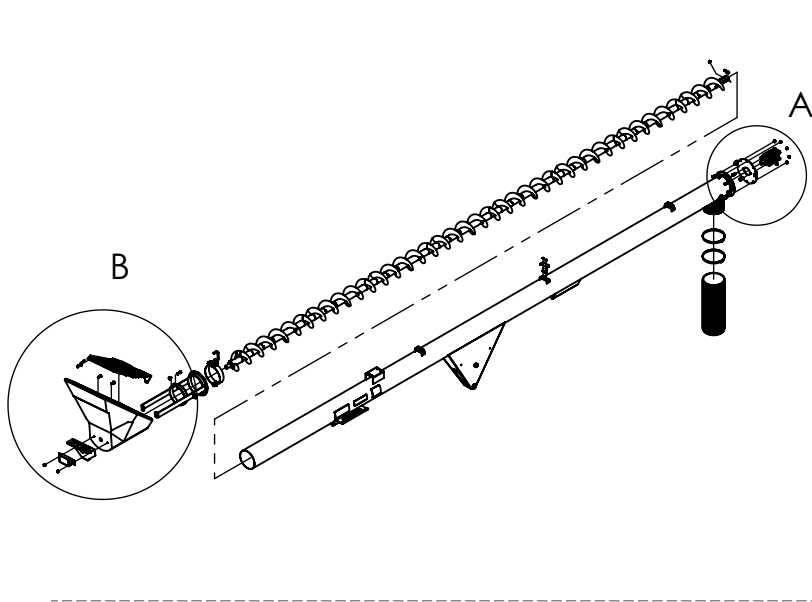
Hydraulic motor (we do not offer the full hydraulic kit at this time)

ITEM NO.	PART NUMBER	DESCRIPTION	QTY.
35	T00113P	Danfoss 151F2341 OMS 100	1

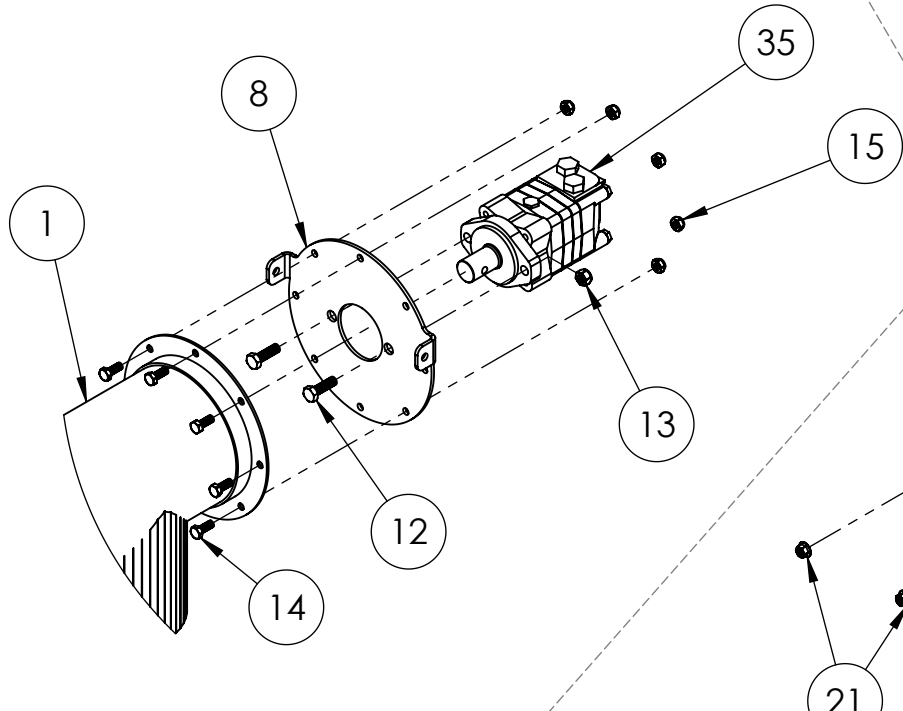


IMPORTANT: APPLY ANTISIEZE TO ALL THREADED STAINLESS STEEL SURFACES TO PREVENT COLD WELD!

DETAIL B



DETAIL A



REMEMBER: Apply antisieze to all threaded surfaces