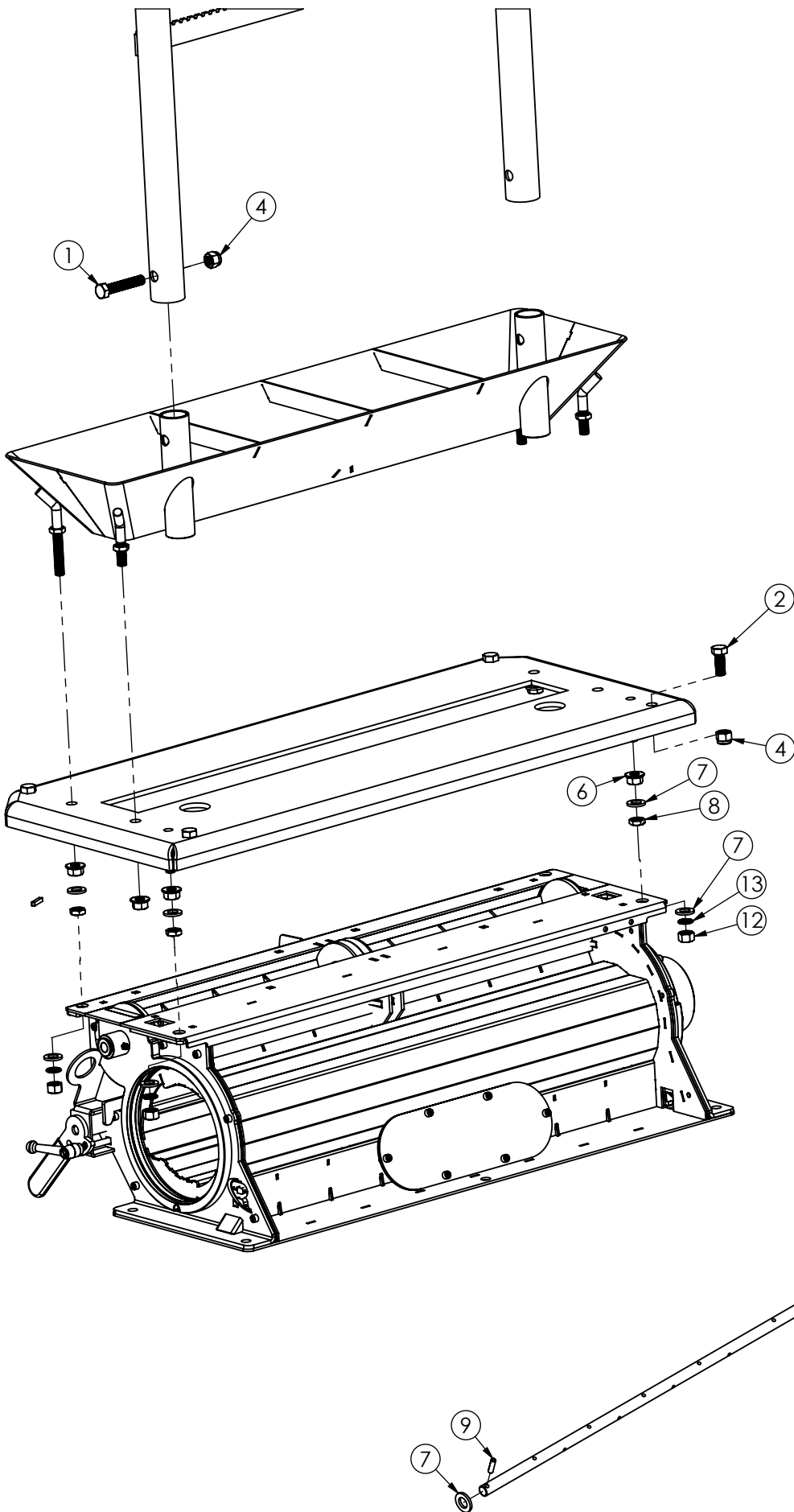


## JASKITUPR1 Upper Hardware Kit & Installation Instructions

ITEM NO.	PART NUMBER	DESCRIPTION	QTY.
1	HW0169	M12-1.75 x 65mm Hex Bolt SS FT	2
2	HW0165	M12-1.75 x 30mm Hex Bolt SS	4
3	HW0148	M6-1.0 x 50mm Hex Bolt SS FT	1
4	HW0124	M12-1.75 Nylon Lock Nut SS	6
5	HW0121	M6-1.0 Nylon Lock Nut SS	1
6	HW0129	M12-1.75 Serr. Flange Nut SS	6
7	HW0136	M12 x 24mm OD Flat Washer SS	9
8	HW0130	M12-1.75 Jam Hex Nut SS	4
9	HW0262	Spring Pin M5x20mm SS	1
10	JAS0294P	Meter Roll Drive [A86502]	1
11	HW0232	Spring Pin 5/16" x 1-3/8" SS	1
12	HW0263	M12-1.75 Hex Nut SS	4
13	HW0264	M12 Lock Washer SS	4
14	T00277P	3/16" x 1" Straight Key	1

**IMPORTANT: Apply anti-seize to all threaded stainless steel surfaces to prevent cold weld!**



**NOTE:** The Romafa meter housing does not need a spacer between the end cap and sprocket, while the OEM JD does.

